

# POWER OF FLEXI- BILITY

**Lesko**   
ENGINEERING™



Visit us on YouTube!  
[youtube.lesko-ing.com.pl](https://youtube.lesko-ing.com.pl)



**LABELXPO  
EUROPE 2017**

Visit us at  
LabelExpo Europe 2017!  
**Stand 11A43**

Visit us in Poland!

In our headquarters in Nadma,  
nearby Warsaw

**Lesko**   
ENGINEERING™

# POWER OF FLEXIBILITY

**Lesko Engineering many times in its history created machines from basics to match the requirements of the Customers.**

**Our company is one of the few, or perhaps the only manufacturer of printing machines, which is able to approach the needs of Customers unconventionally and propose a solution that is unique in the world.**

Lesko Engineering is a company with nearly twenty years of experience in the printing industry. In the headquarters nearby Warsaw it produces - based on their own ideas and projects - advanced solutions used in flexo printing industry: printing machines, die cutting machines (cutting into sheets and die cutting), rewinders and inspection systems. The company currently employs 50 highly qualified employees and approx. 95% of assemblies and parts for its production is manufactured in-house.

## Over 20 years of experience and global success.

For 20 years, the company has built and installed more than 560 large machines weighted more than 1000 kg and about 100 smaller devices. Thanks to its reputation, the company often receives orders to adapt or modify products of other companies with its own solutions. Currently, machines produced by the Lesko Engineering can be found in 64 countries around the world.

Lesko Engineering progressively expanding, reaching annual sales growth of 10-15% and presenting on the market new innovative machines (recent Labelexpo Europe 2015 was a debut of modular converting line for finishing of digital prints - DCL). The company's solutions are also included - based on an OEM agreement - in devices of other manufacturers (eg. Rietstack).

Year to year Lesko Engineering's offer has been increasing by new products, machines with greater functionality and with improved performance. Today, after 20 years, the brand is one of the leading among manufacturers of machines for the packaging and labeling industry. One thing that has survived from company's beginning and is still the core of the company's philosophy is the belief of building strong relationships with each customer.

## Our strength is our uniqueness

In comparison to other global companies, the differentiators of Lesko Engineering, nominated in Poland for the title Symbol of Innovation 2016, are comprehensive solutions offered by it. Starting from the concept setting, through designing, production of parts, assembly of components, testing the machine until its first start and operation, designers and engineers from Lesko are in close contact with the customer. The employees are responsible for all stages of production themselves, so they can react immediately. It should be emphasized even more, because most of the global suppliers are only designing companies that subcontract production of the machines.

*"Due to the close relationships with customers we can observe their needs. We meet their expectations. If needs appeared, we implement them. We try to observe trends in the market and sometimes even overtake them. We often suggest solutions to customers, knowing what*

*may be useful for them in advance"* says Leszek Seroczyński, owner of the company. *"Individual approach to each customer is the strength of our brand. Each device is strictly dedicated. Our designers learn first about customers needs and expectations, and then they create projects for them. We do not offer ready-made machines or copies of previous devices. This philosophy results in the fact that literally every one of our products is different. We do not sell machines, but solutions."*

Be with the customer all the time, never leave him/her - this motto should be remembered. What else? Solve problems comprehensively. In everything man do, delve deeply and only then present the solution. Therefore, the company does not compete by price and its reputation is gaining by quality of its products.

*"In production we use the best solutions. Our main goal is to sell, not to service our products, and in fact - it happens rarely. We care about the long-term relationship with the customer. We are trying to build reliable devices and it is most important to us"* indicates Leszek Seroczyński.

And all this is happening thanks to the right people. The recipe for success of a business is presented by an owner briefly:

**Things that push us forward are the commitment and the passion. Then the effects come spontaneously.**

# Lesko RLS 280/380/440/530

## slitter rewinder

LESKO RLS is a dedicated slitter rewinder to work with both: printed and clean materials. It is perfectly suited for:

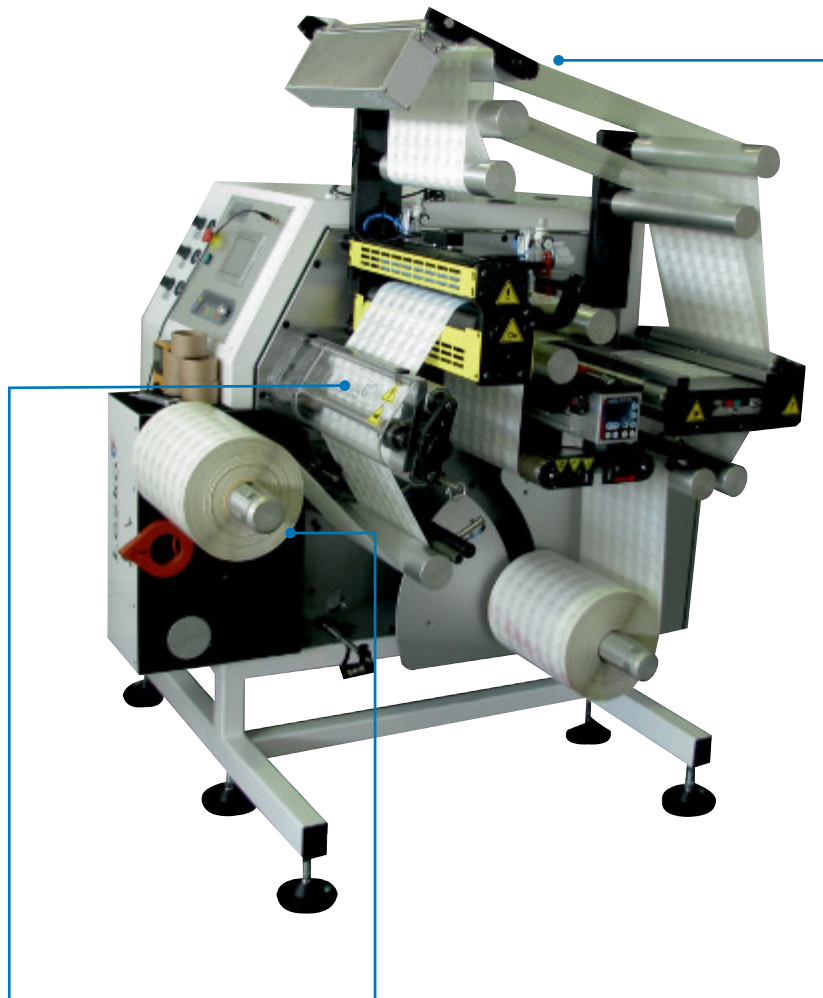
- labels confectioning for specified number of labels or roll length
- web slitting
- inspection and making amendments (appending missing labels or removal of faulty pieces)

on die-cut or printed parts of the material. By using our machine, you can easily rewind the various materials including foils thanks to servo motors installed on a rewinder.

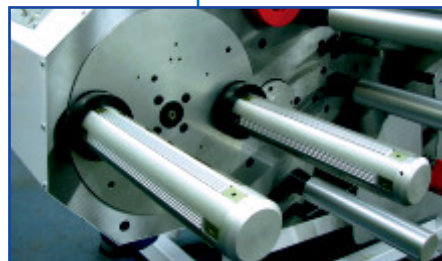
**web widths:** 280/380/440/530 mm  
**max. unwind dia.:** 750 mm  
**max. rewind dia.:** up to 600 mm  
**max. speed:** 250 m/min

**type of slitting unit:**  
Shear cutting / razor blades / crush cutting knives

**type of rewinder:**  
Single shaft / double shaft / semi turret rewinder



Shear cutting knives unit



Semi-turret version of rewinders with the option of simultaneous wound on two spindles



Stroboscope

# Lesko HI 440

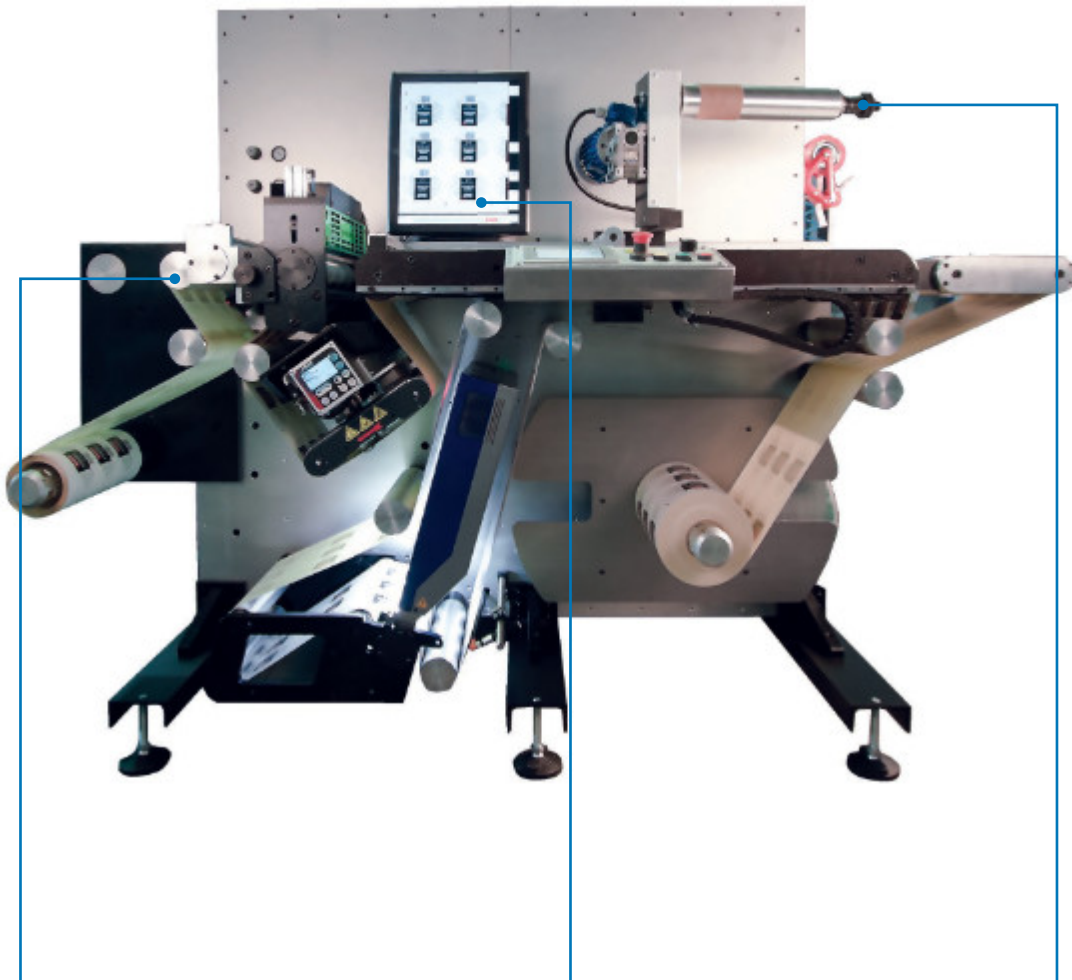
## Inspection rewriter

Inspection machine LESKO HI is dedicated to work with the previously prepared materials. The machine is ideally suited for:

- printed materials confectioning,
- precise slitting,
- visual 100% inspection.

Our idea of inspection system fully integrated with the machine guarantees 100% control of printing quality and maintain very high efficiency. There is a possibility to adapt the machine for any 100% inspection system available on the market.

**web widths:** 440 mm  
**max. unwind dia.:** 800 mm  
**max. rewind dia.:** up to 600 mm  
**max. speed:** 300 m/min  
**type of slitting unit:**  
Shear cutting / razor blades  
**type of rewriter:**  
Single shaft / double shaft / semi  
turret rewriter



100% inspection system



Touchscreen control panel with intuitive interface



Waste rewind spindle

# Lesko M600

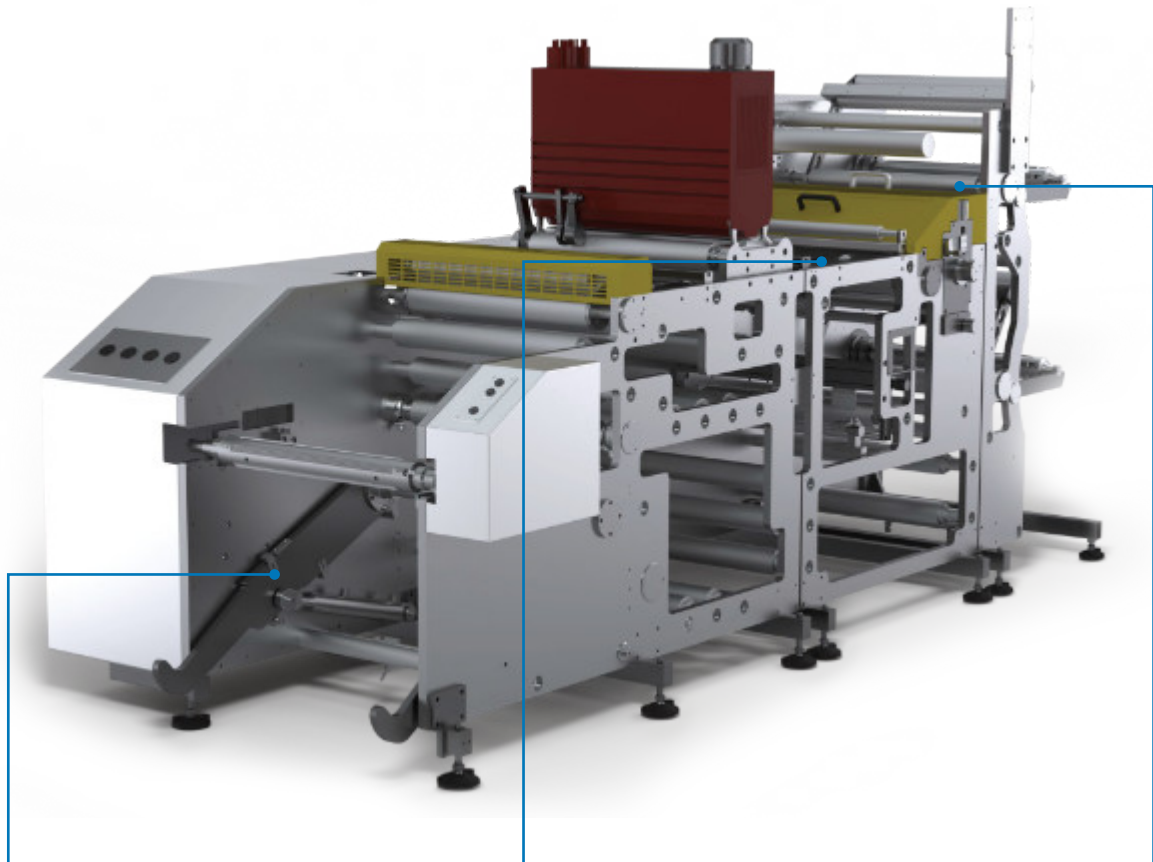
## Inspection rewinder for wide materials

Inspection machine LESKO M600 is dedicated to work with the preprinted wide materials. The machine is ideally suited for:

- printed materials confectioning,
- precise slitting.
- visual 100% inspection.

This machine is fully double sided supported and prepared for wide rolls of materials. Our idea of inspection system fully integrated with the machine guarantees 100% control of printing quality and maintain very high efficiency. There is a possibility to adapt the machine for any 100% inspection system available on the market.

**web widths:** 570 mm  
**max. unwind dia.:** 1200 mm  
**max. rewind dia.:** 2 x 600 mm  
**max. speed:** 300 m/min  
**type of slitting unit:**  
Shear cutting /razor blades (easy loaded unloaded and replaced)



Hydraulic lifted unwinder



100% inspection system with large inspection table



Double shaft rewriter

# Lesko RLS 280G

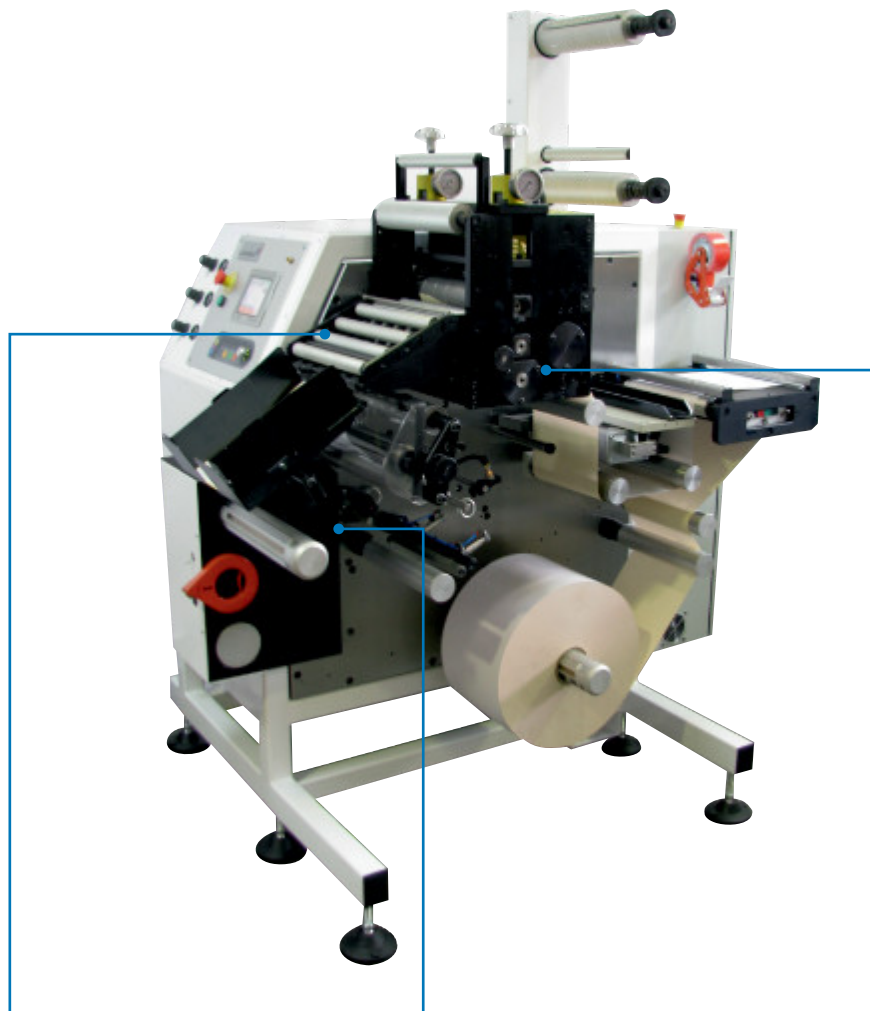
## Die cutting / sheeting machine

LESKO RLS G is the ideal solution for customers who expect from the machine high functionality and versatility. One compact machine offers you opportunity to do:

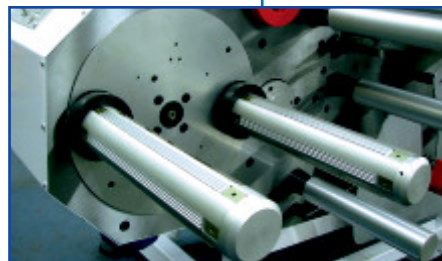
- rewinding
- die cutting
- sheeting

The rotary die cutting unit can also be adapted to work in register.

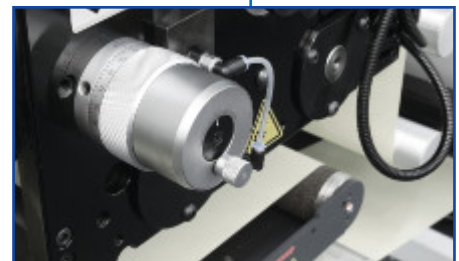
**web widths:** 280 mm  
**max. unwind dia.:** 750 mm  
**max. rewind dia.:** up to 600 mm  
**max. speed:** 220 m/min  
**type of rewinder:**  
Single shaft / double shaft / semi  
turret rewinder



Guillotine suitable for  
1/8 "and 1/6" (A4 sheets)



Semi-turret version of rewinders with  
the option of simultaneous wound on two  
spindles



Gap control system  
GapMaster

# Lesko RLS 280/380/440/530DIE

## Die cutting machine

LESKO RLS DIE is the optimally constructed, ideal die cutting machine for constant, long-term work, even 24/7.

This type of machine can be used to:

- die cutting,
- confectioning on the specified number of labels or roll length,
- slitting

Our die cutting machines type RLS DIE are dedicated to work with printed and pure materials. Thanks to long-term experience we can offer you a machine with the latest generation die cutting unit.

Optimum structure of die cutting unit (anvil supported by resistance shaft) ensures stability of parameters for many years.

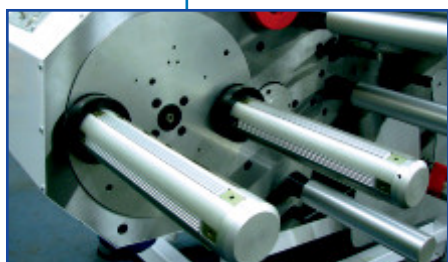
**web widths:** 280/380/440/530 mm  
**max. unwind dia.:** 750 mm  
**max. rewind dia.:** up to 600 mm  
**max. speed: (winding/die cutting)** 250 m/min

**type of die cutting unit:**

Single / Double

**type of rewinder:**

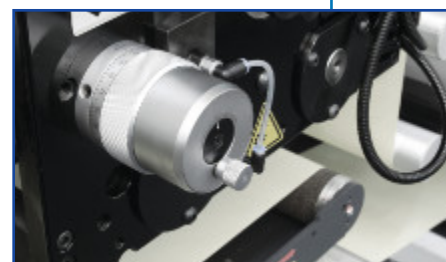
Single shaft / double shaft / semi turret  
rewinder



Semi-turret version of rewinders with the option of simultaneous wound on two spindles



Flexible die unit



Gap control system  
GapMaster



# Lesko RLS 280PRN

## Flexo printing machine

LESKO RLS PRN is the only one on the market so compact and multifunctional machine designed for printing and confectioning of labels.

The machine can be equipped with a rotary die cutting unit and the dual printing unit.

Usage of servo mechanism ensures off-line die cutting in register.

Additionally, there is possibility to use servo mechanism in one of printing units, which allows to print the third color.

**web widths:** 280 mm  
**max. unwind dia.:** 750 mm  
**max. rewind dia.:** up to 600 mm  
**max. speed: (winding/die cutting)** 220 m/min

**max. speed: (printing)** 110 m/min

**type of printing unit:**

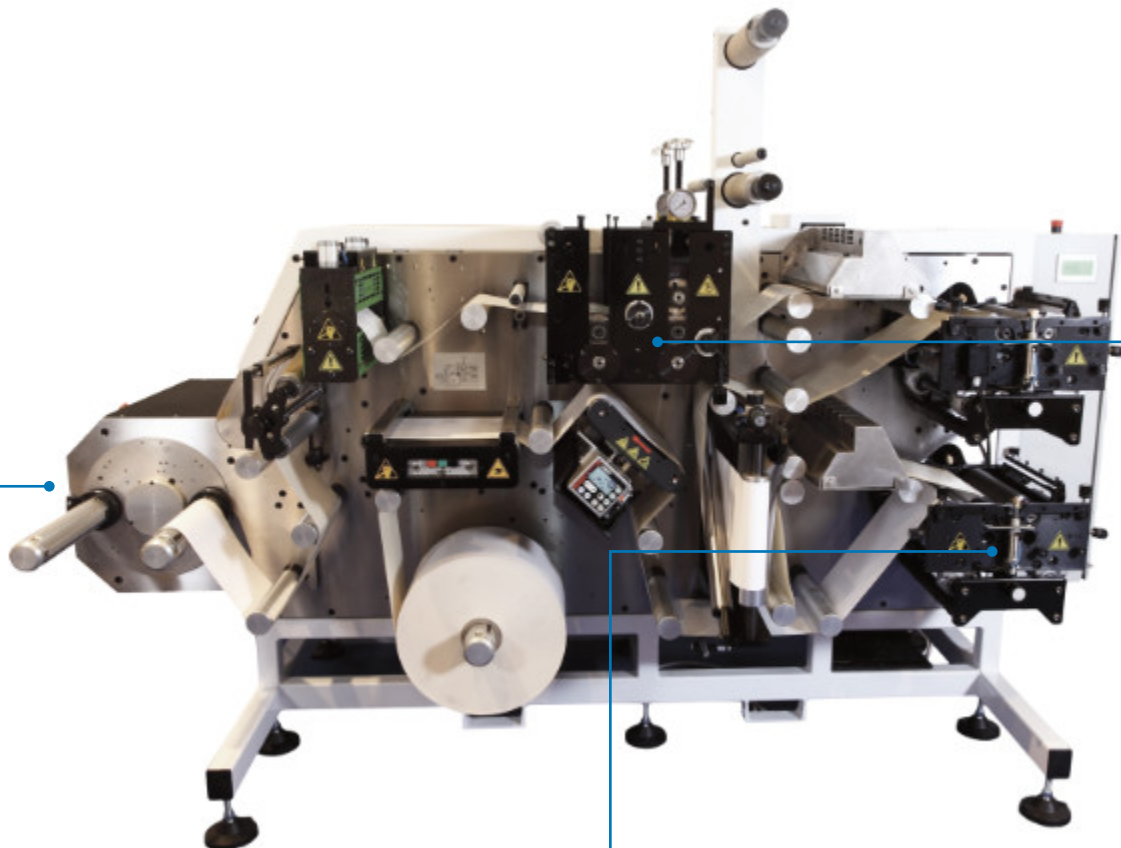
Single / Double

**type of die cutting unit:**

Single / Double

**type of rewinder:**

Single shaft / double shaft / semi turret rewinder



Semi-turret version of rewinders with the option of simultaneous wound on two spindles



Flexo printing unit



Gap control system  
GapMaster

# Lesko CL 280/380/440

LESKO CL is a verified construction used to multi-faceted refinement of labels. The main advantage of the structure is full flexibility in configuration of functions in accordance with the customer's needs. We "build" this machine together with customer. Modules, the machine is equipped with are:

- unwinder module
- printing module with UV lamps
- printing module with Hot Stamping
- waste rewind spindle with Roll to Roll system
- die cutting module (rotary or semi rotary)
- rewinder module

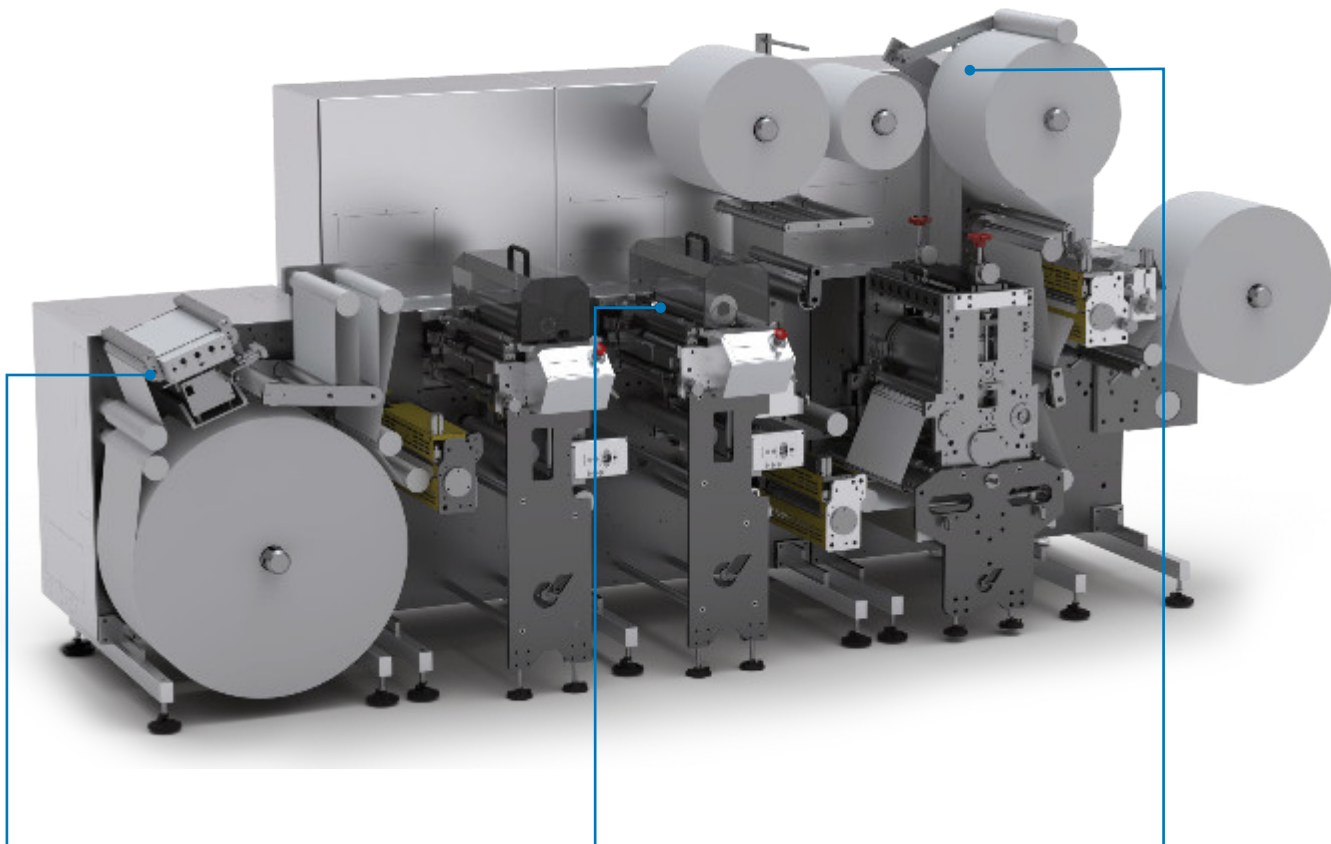
The main advantage of the modular system is possibility of easy extension in the future. All modules are synchronized with the servo motor and controlled with one multi-axis driver.

**web widths:** 280/380/440 mm  
**max. unwind dia.:** 800 mm  
**max. rewind dia.:** up to 600 mm  
**max. speed (winding/die cutting):** 220 m/min

**max. speed (semi rotary die cutting):** 75 m/min

**max. speed (printing):** 120 m/min

**type of rewinder:**  
Single shaft / Double shaft /  
Semi turret rewriter / Full turret  
rewinder with 4 shafts



Inspection table



Printing modules



Waste rewind spindle with Roll to Roll system

# Lesko TT 250

## Horizontal table rewinder

Horizontal table rewinder LESKO TT is a dedicated solution for rewinding of printed materials from roll to roll.

Machine is useful for verification of the quality, as well as for the correction of wound materials.

Such a device cannot be missed by any printing house.

<b>web widths:</b>	<b>250 mm</b>
<b>max. unwind dia.:</b>	<b>440 mm</b>
<b>max. rewind dia.:</b>	<b>440 mm</b>
<b>max. speed:</b>	<b>150 m/min</b>



### Advantages:

- compact design
- user friendly interface - intuitive and easy to use
- current meters and labels electronic counter - very precise confectioning
- bidirectional rewinding
- change the direction of rewinding with a single button
- lifted table top - additional tension control by changing the angle of inclination of table top; controlled from the panel, run with a single button
- 2 pneumatic expansion spindles (rewinding and unwinding) Ø 76 mm
- the basis for Ink Jet numbering printheads

### Additional equipment:

- easily replaceable pneumatic spindles with diameters from Ø 19 to Ø 76 mm
- adapters for spindle over Ø 76 mm
- sensor for detecting missing labels
- razor blade knives for slitting the web
- stroboscope with a movable arm
- plate for removing the rolls
- special plates on rolling bearings reducing friction of the material on the table
- splice table with clamps for connecting the webs
- footswitch for speed control.



Our products are in 60 countries.  
Trust valued quality in the world.



**Gold Medal**  
**Taropak 2006**  
Poznań International  
Fair

**Gold Medal**  
**Taropak 2009**  
Poznań International  
Fair

**Gold Medal**  
**Taropak 2011**  
Poznań International  
Fair

Lesko Engineering's products are among the world leaders.  
Repeatedly appreciated by consumers and awarded in medals.

**Lesko Engineering**  
**Leszek Seroczyński**  
Nadma, ul. Pólko 20  
05-270 Marki  
Poland

Phone:  
+48 22 781 18 88  
+48 22 247 22 53

[info@lesko-ing.com.pl](mailto:info@lesko-ing.com.pl)  
[www.lesko-ing.com.pl](http://www.lesko-ing.com.pl)